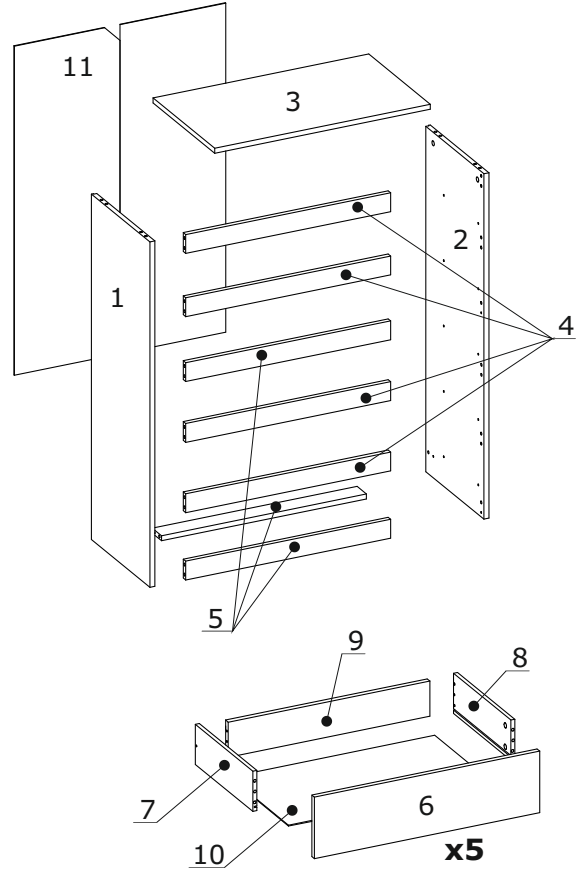
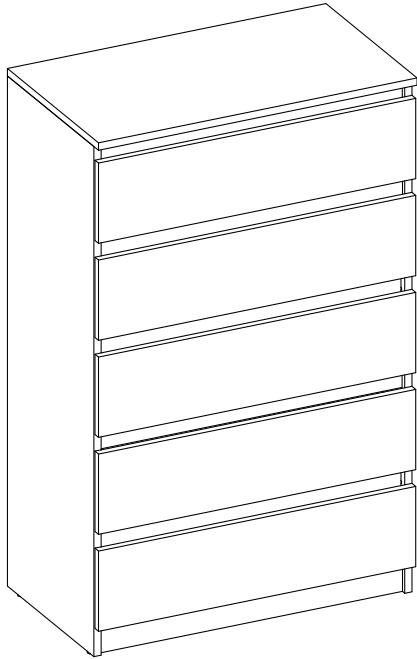


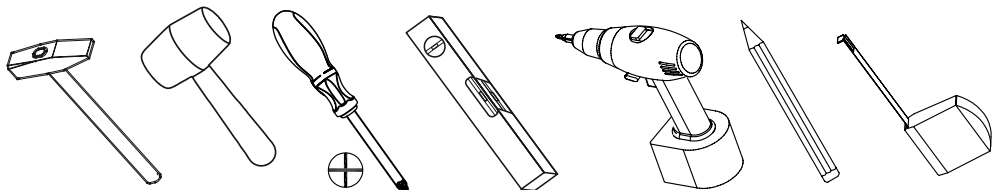
MALWA M5

Mebel należy montować na miękkim podłożu	Mebel należy konserwować typowymi środkami do konserwacji mebli	Furniture should be assembled on the soft surface	Piece of furniture should be preserved by the typical furniture care substances
--	---	---	---

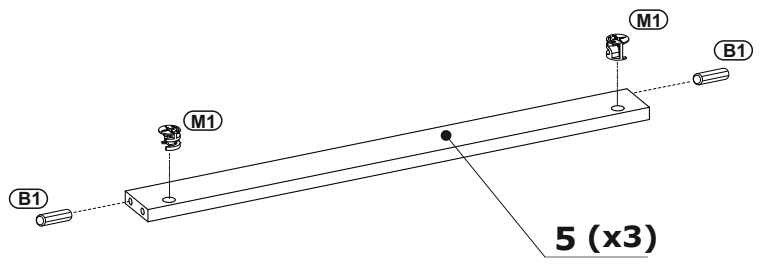
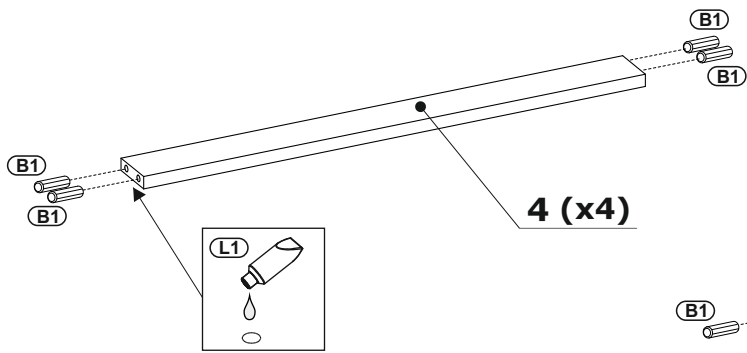
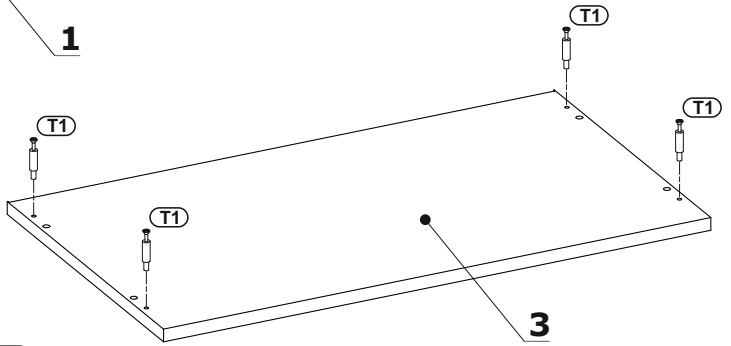
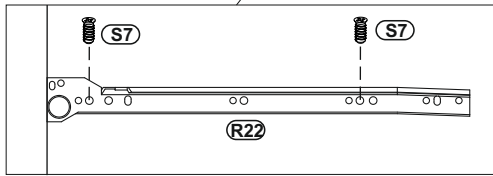
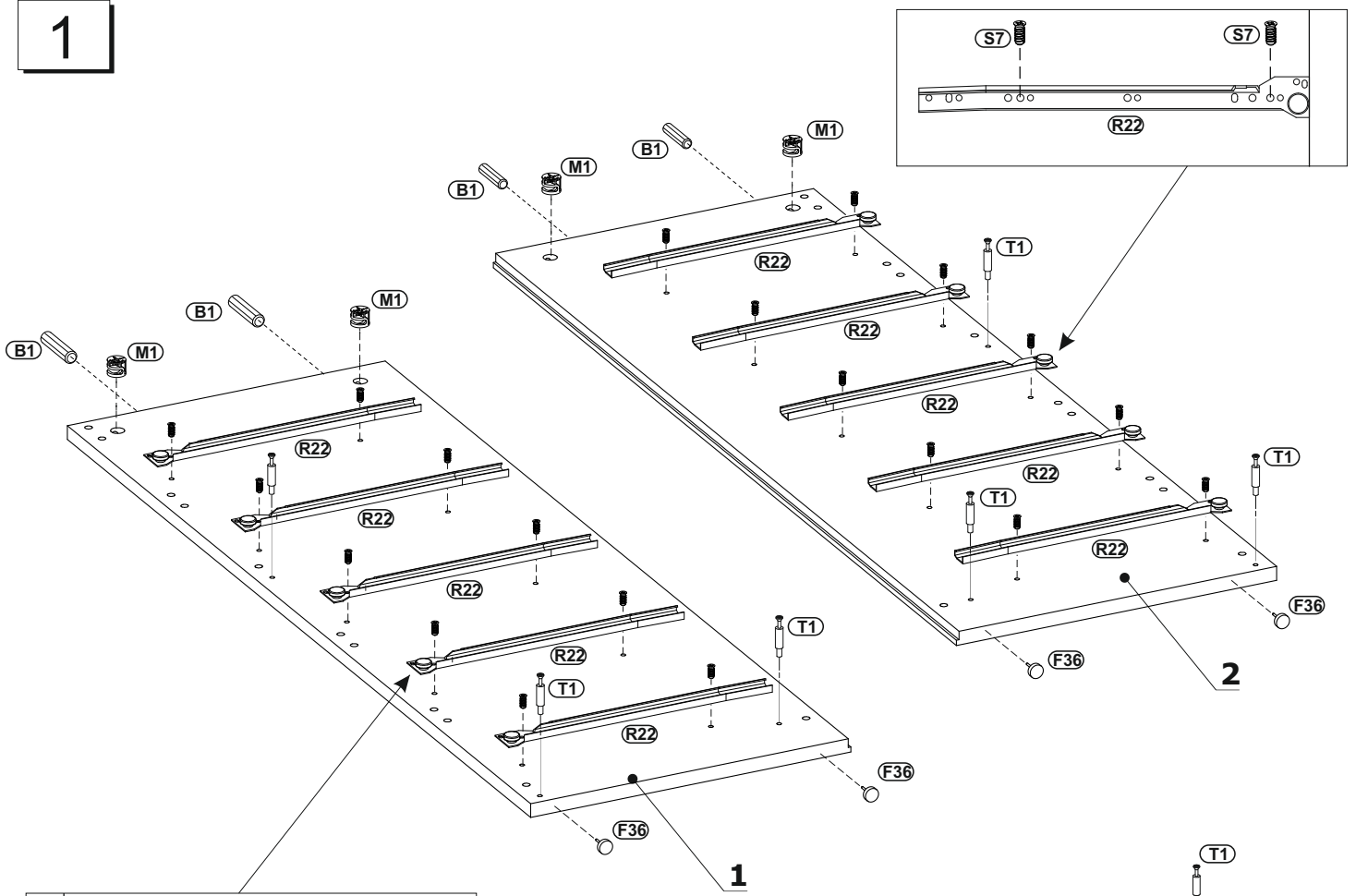


OKUCIE: / FITTINGS:

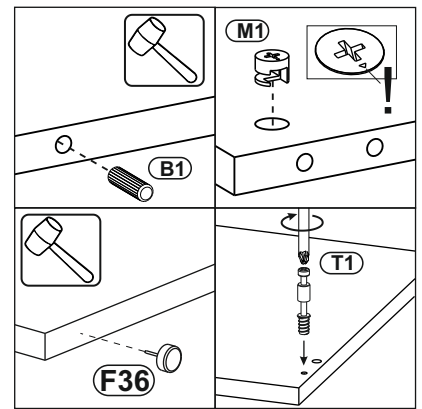
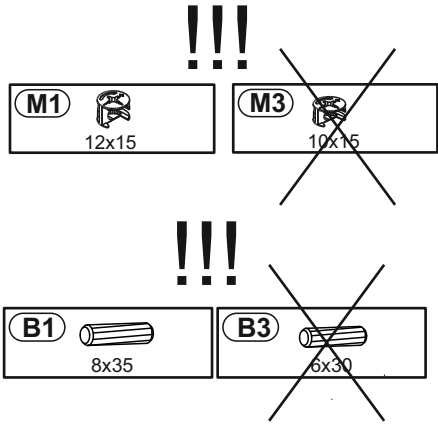
B1 8x35 x36	M1 12x15 x10	T1 x30	S5 3,5x16mm x1	R22 350mm x5
B3 6x30 x20	M3 10x15 x20	G2 1,4x25mm x50	T19 x1	S7 6,3x13mm x20
K5 x4	C2 x20	F36 x4	T20 x1	S8 3 x 20 mm x20
L1 x1	G7 x1	K1 7,0x50 x8	S6 4 x 16 mm x8	



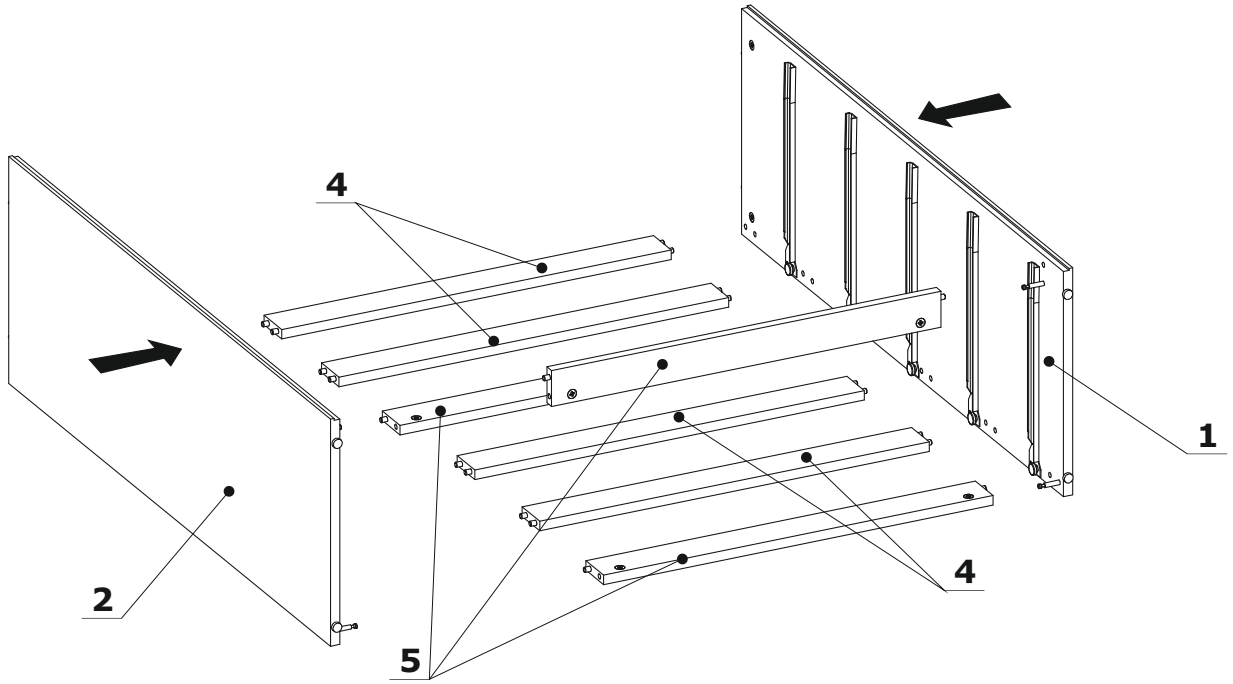
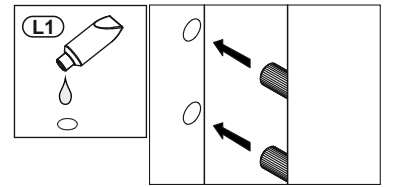
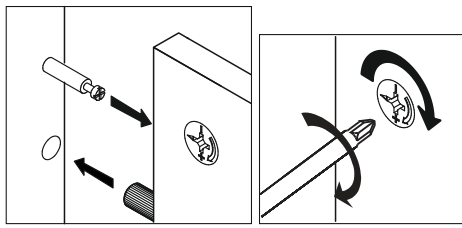
1



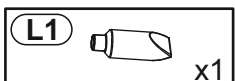
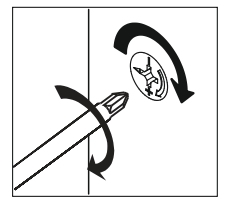
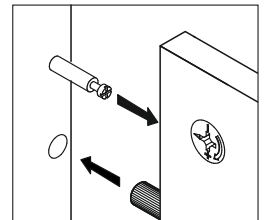
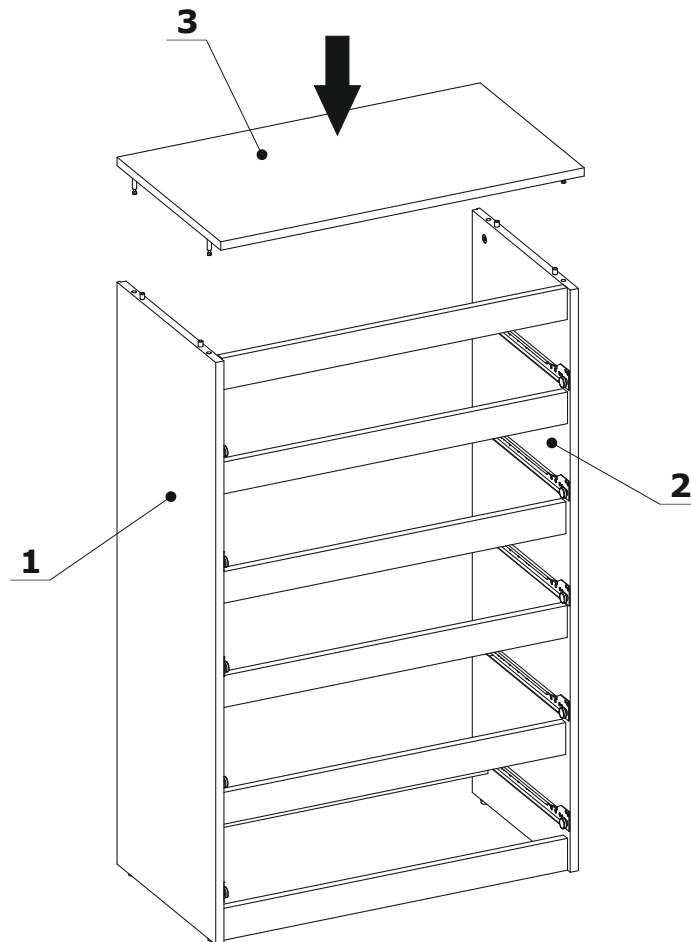
B1 8x35 x26	M1 12x15 x10
F36 x4	R22 350mm x5
T1 x10	L1 x1
S7 6,3x13mm x20	



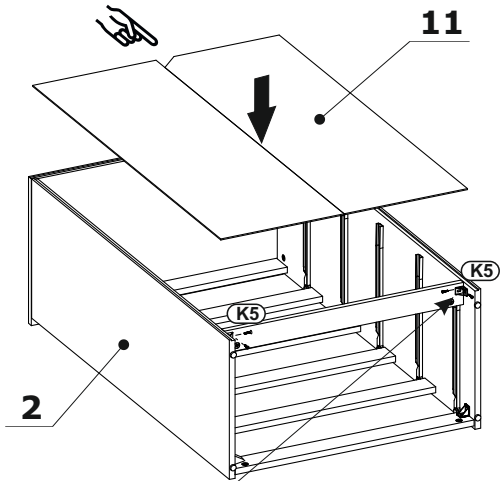
2



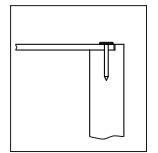
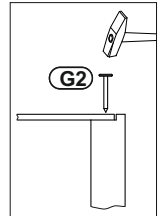
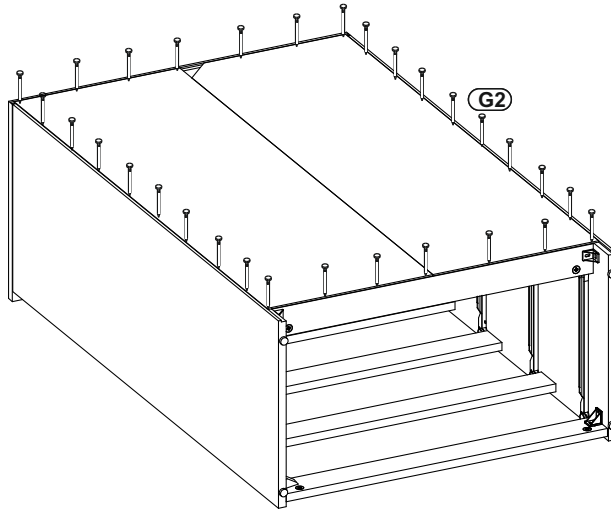
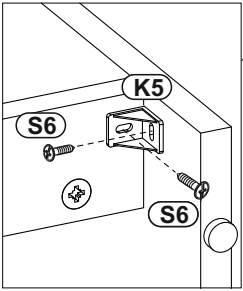
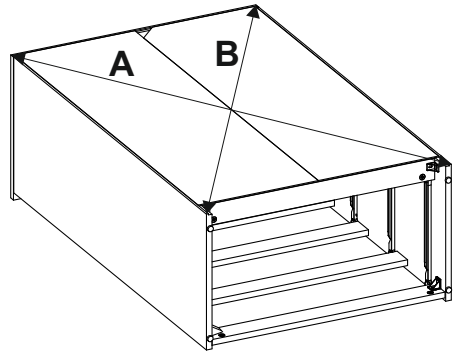
3



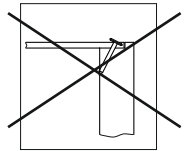
4



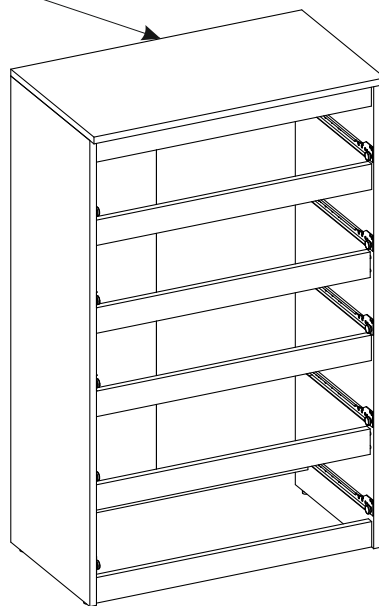
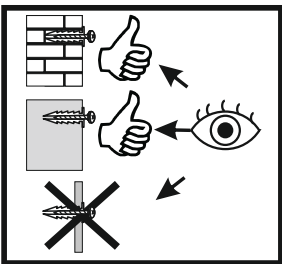
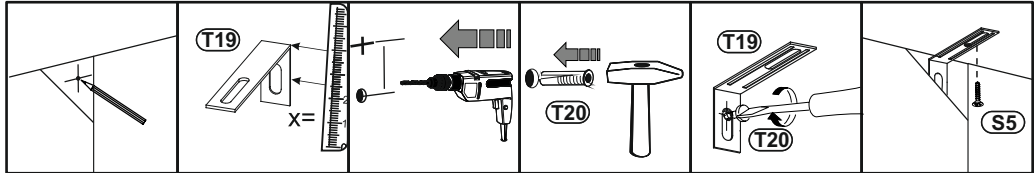
A=B



✓



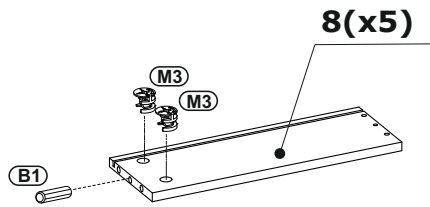
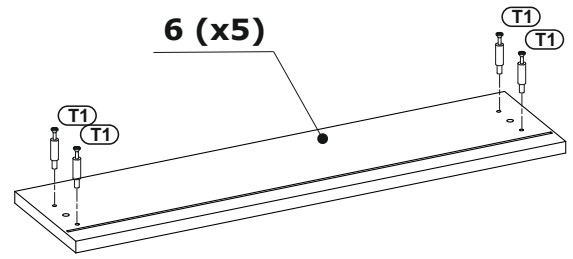
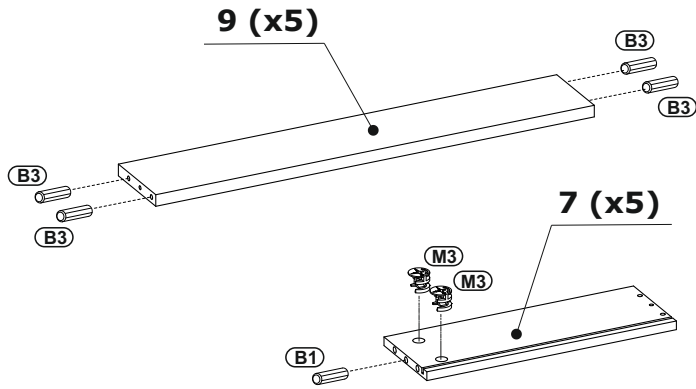
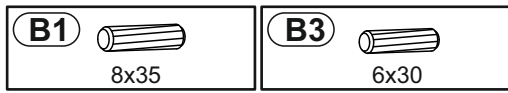
5



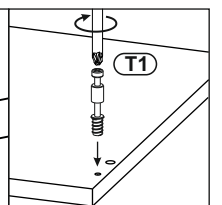
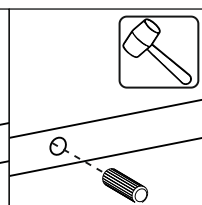
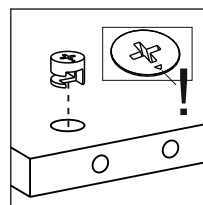
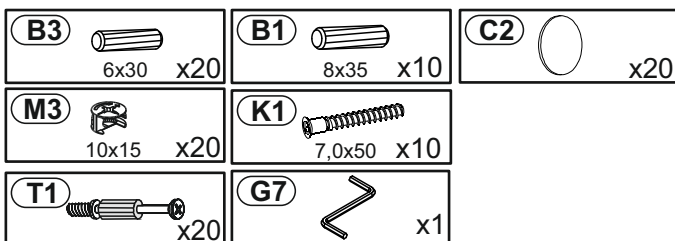
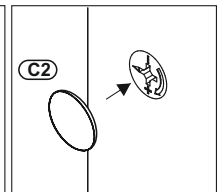
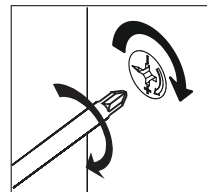
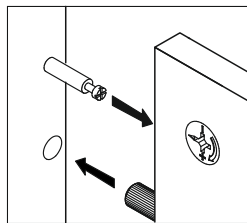
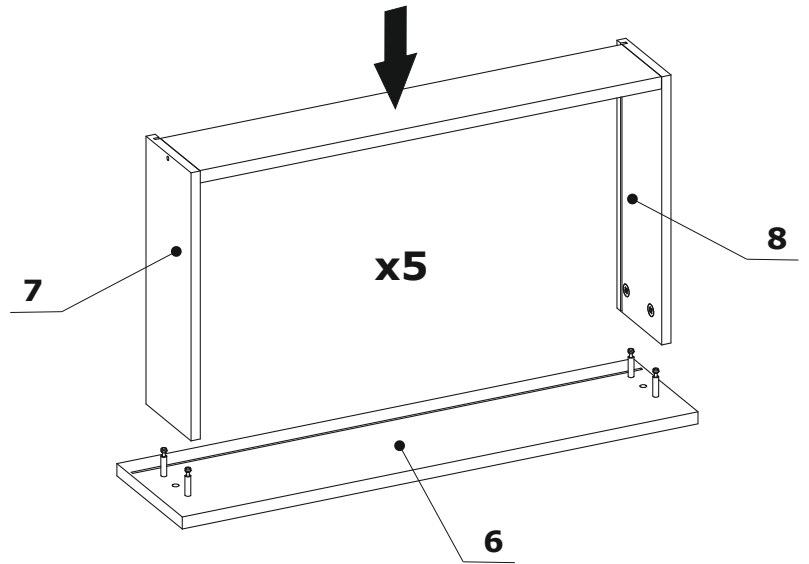
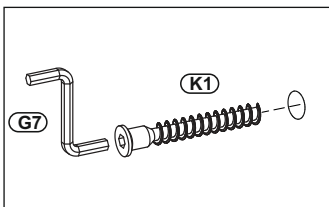
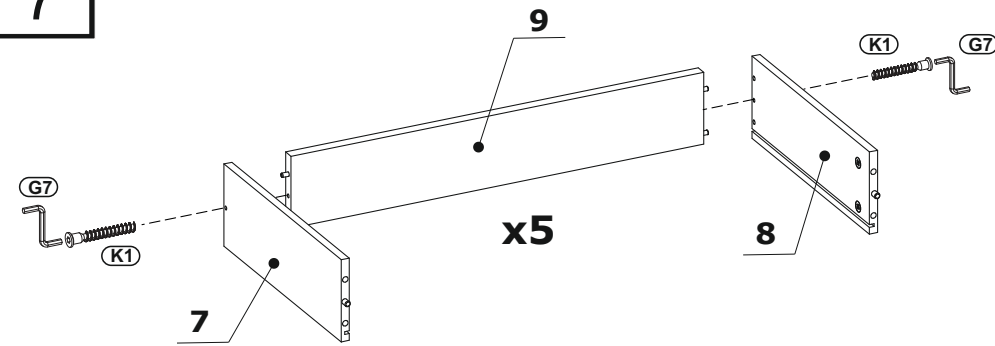
- | | | | | | |
|-----------------|--------------------------|------------------|------------------|---------------------------|---------------------------|
| K5
x4 | S5
3,5x16mm x1 | T19
x1 | T20
x1 | G2
1,4x25mm x30 | S6
4 x 16 mm x8 |
|-----------------|--------------------------|------------------|------------------|---------------------------|---------------------------|

6

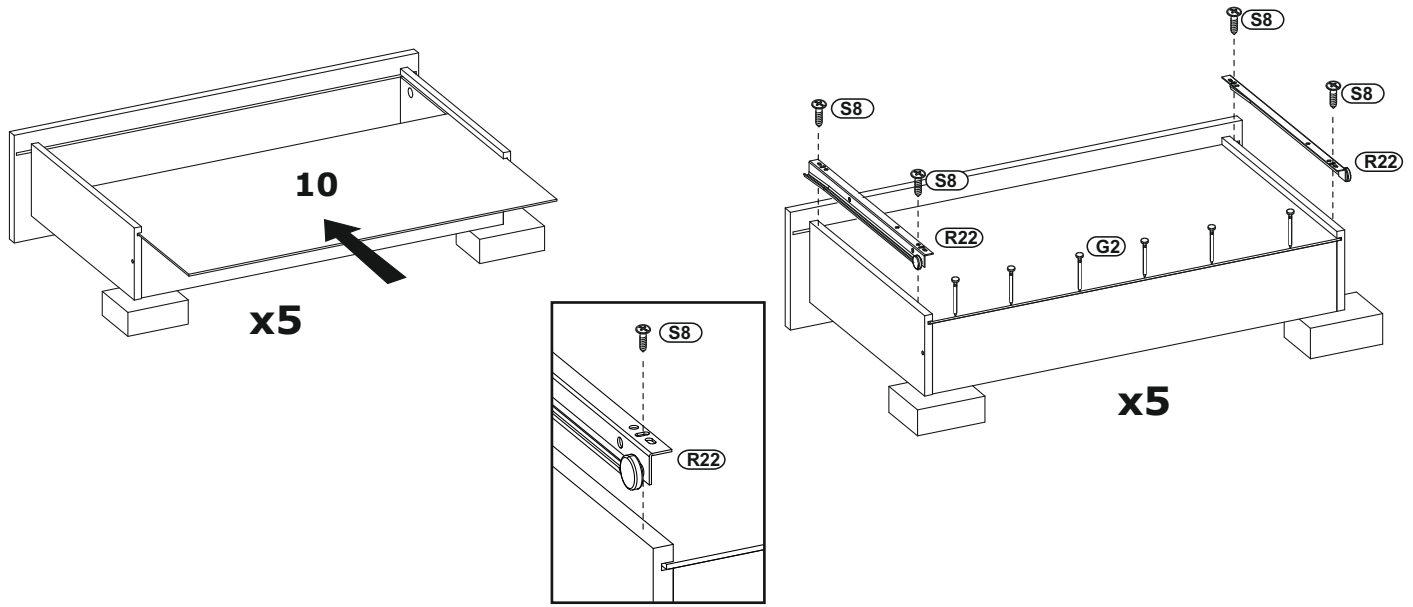
!!!



7



8



9

